

U.FL/MHF to Right Angle SMA Male 20cm

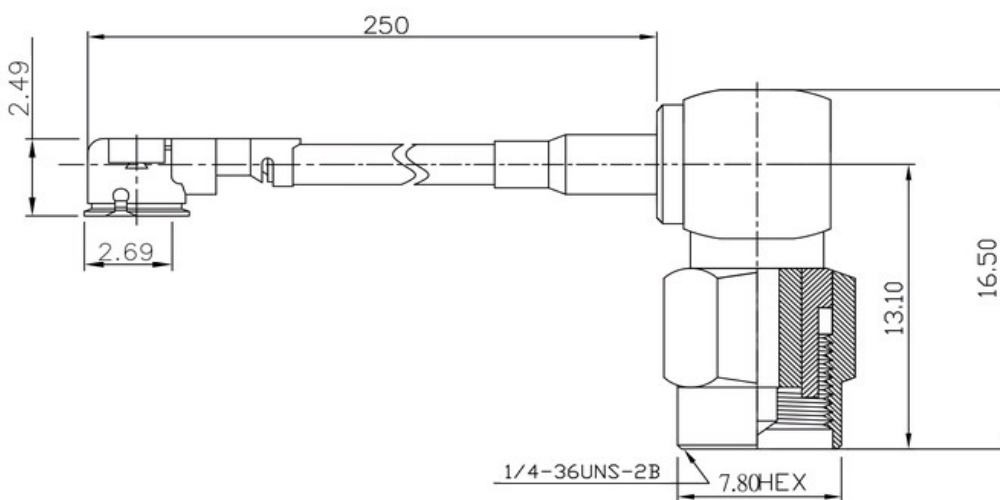
EZ-UFL2RASMA20

U.FL/MHF to RA-SMA Male 20cm.

UFL to RA-SMA series coaxial pigtails have medium-sized, threaded coupling connectors designed for use from DC to 11 GHz.

Their consistently low broadband VSWR have made them popular over the years in many applications.

The UFL to RA-SMA series pigtail is impedance matched to 50 ohm cables.



TECHNICAL SPECIFICATIONS	
Impedance	50 ohm
Frequency Range	0 to 11.0 GHz
V.S.W.R.	1.3 max
Working Voltage	1,000 volts rms max at sea level
Dielectric Withstanding Voltage	2,500 volts rms max at sea level
Contact Resistance	Center contact=1.0 Milliohms max
Contact Resistance	Outer contact=1.0 Milliohms max
Insertion Loss	< 2,5 dB
Insulation Resistance	5,000 Megohms min
Connector Body (UFL/RA-SMA)	(Gold /Gold) Plated
Center Pin	Gold Plated
Dielectric	Teflon
O-Ring	Not Present
Cable Type	RG178

Connector 1	Connector 2
UFL	RA-SMA
Female Body	Female Thread
Female Center Pin	Male Center Pin
Additional Images	